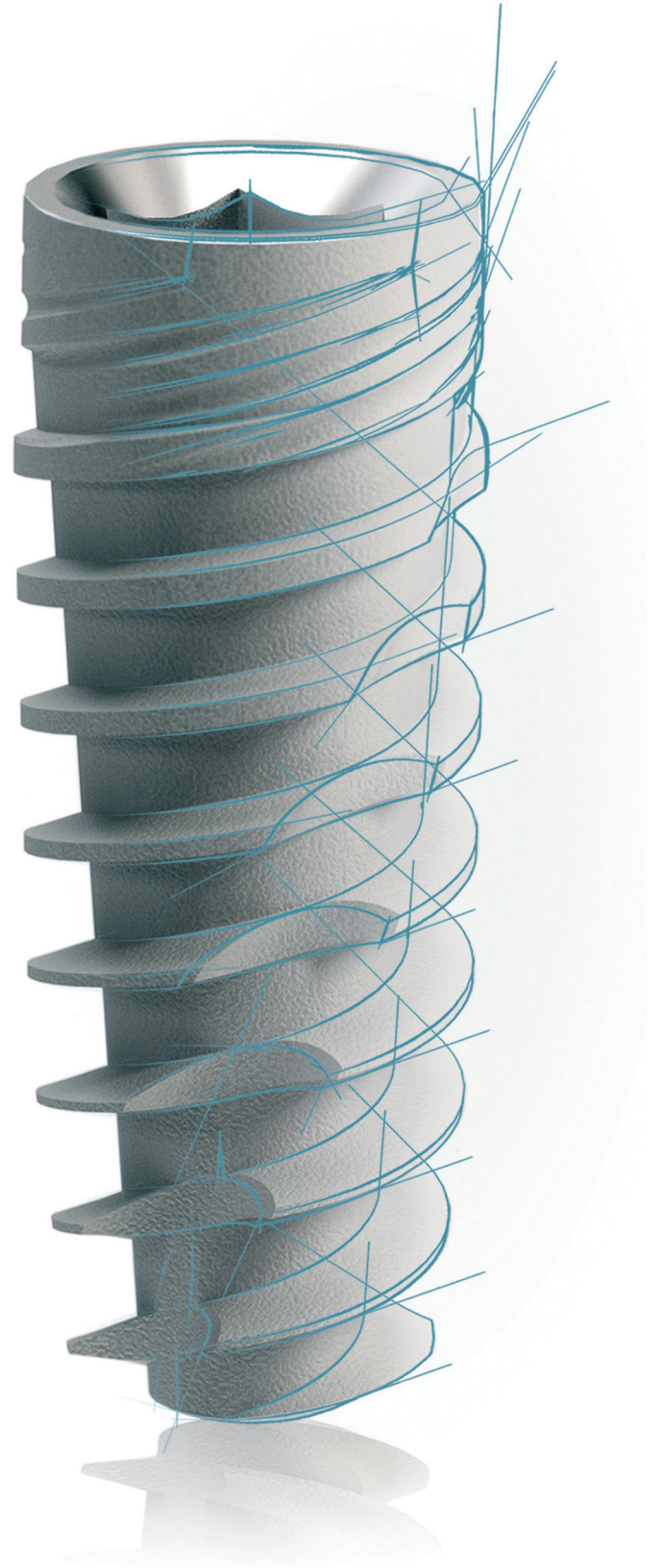




JDENTAL CARE
just smile



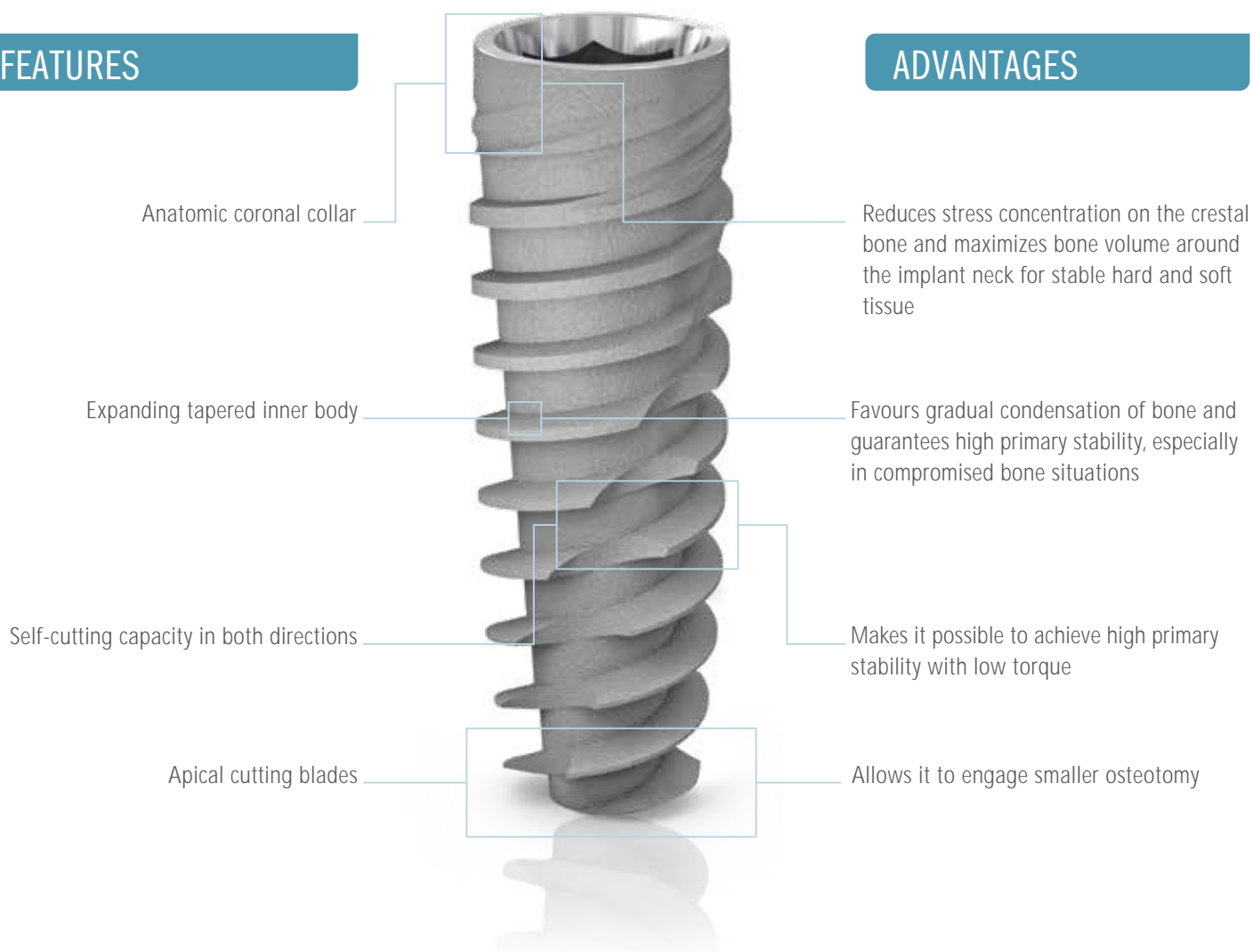
The implant system designed for all your needs
JD EVOLUTION®

JD EVOLUTION®

SIMPLE INSERTION, NATURAL STABILITY.

FEATURES

ADVANTAGES



SINGLE PROSTHETIC CONNECTION.

FEATURES

ADVANTAGES

- Single prosthetic connection for all diameters, Ø 3.7, Ø 4.3, Ø 5.0, Ø 6.0
- Dual system conical connection with internal hexagon.
- Built-in platform switching.
- Complete choice of temporary and final abutments with healing abutments of various heights and emergence profiles.



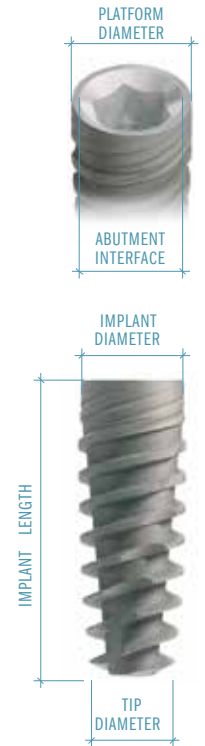
- Simplicity of clinical processes.
- Reduced inventory and enhanced working flexibility.
- Excellent connection stability.
- Sealed connection, virtually eliminating implant-abutment microgap due to the specific connection design.
- Superior mechanical strength.
- Greater hard and soft tissue stability.

JD EVOLUTION®

PRODUCT SPECIFICATIONS.

The JDEVOLUTION® dental implant is available in the diameters and lengths shown in this chart:

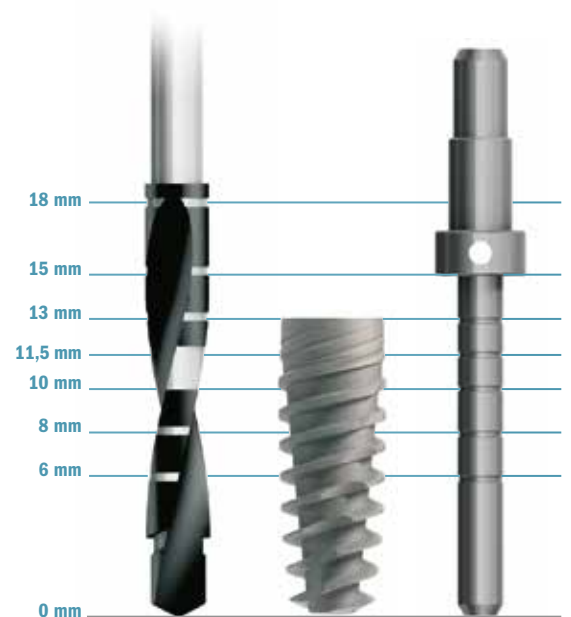
IMPLANT DIAMETER	TIP DIAMETER	ABUTMENT INTERFACE	PLATFORM DIAMETER	LENGTH						
Ø 3,7	2.4	3.4	3.7		8	10	11.5	13	15	18
Ø 4,3	2.8	3.4	4.0	6	8	10	11.5	13	15	18
Ø 5,0	3.2	3.4	4.0	6	8	10	11.5	13	15	
Ø 6,0	4.8	3.4	5.0	6	8	10	11.5	13	15	



JD EVOLUTION® DRILLING PROTOCOLS.

It is recommended to adhere to the indications of the following drilling sequence to ensure optimal primary stability of the implant.

IMPLANT DIAMETER	SOFT BONE TYPE IV	MEDIUM BONE TYPE II-III	DENSE BONE TYPE I
Ø 3,7	2.0 2.4	2.0 2.4 2.8	2.0 2.4 2.8 3.2 (3.6)
Ø 4,3	2.0 2.4 2.8	2.0 2.4 2.8 3.2 (3.6)	2.0 2.4 2.8 3.2 3.6 (4.0)
Ø 5,0	2.0 2.4 2.8 3.2	2.0 2.4 2.8 3.2 3.6 (4.0)	2.0 2.4 2.8 3.2 3.6 4.0 (4.4)
Ø 6,0	2.0 2.4 2.8 3.2 3.6	2.0 2.4 2.8 3.2 3.6 4.0 (4.4)	2.0 2.4 2.8 3.2 3.6 4.0 4.4 (4.8)



Note: All dimensions are expressed in millimetres

PRODUCT CATALOGUE

Implants:

Ø 3,7

EV37080	JDEvolution® Ø 3.7 L 8
EV37100	JDEvolution® Ø 3.7 L 10
EV37115	JDEvolution® Ø 3.7 L 11.5
EV37130	JDEvolution® Ø 3.7 L 13
EV37150	JDEvolution® Ø 3.7 L 15
EV37180	JDEvolution® Ø 3.7 L 18

Ø 4,3

EV43060	JDEvolution® Ø 4.3 L 6
EV43080	JDEvolution® Ø 4.3 L 8
EV43100	JDEvolution® Ø 4.3 L 10
EV43115	JDEvolution® Ø 4.3 L 11.5
EV43130	JDEvolution® Ø 4.3 L 13
EV43150	JDEvolution® Ø 4.3 L 15
EV43180	JDEvolution® Ø 4.3 L 18

Ø 5,0

EV50060	JDEvolution® Ø 5.0 L 6
EV50080	JDEvolution® Ø 5.0 L 8
EV50100	JDEvolution® Ø 5.0 L 10
EV50115	JDEvolution® Ø 5.0 L 11.5
EV50130	JDEvolution® Ø 5.0 L 13
EV50150	JDEvolution® Ø 5.0 L 15

Ø 6,0

EV60060	JDEvolution® Ø 6.0 L 6
EV60080	JDEvolution® Ø 6.0 L 8
EV60100	JDEvolution® Ø 6.0 L 10
EV60115	JDEvolution® Ø 6.0 L 11.5
EV60130	JDEvolution® Ø 6.0 L 13
EV60150	JDEvolution® Ø 6.0 L 15



Cover screw:

EVCS	Cover screw JDEvolution®
EVCS6	Cover screw Ø 6.0 JDEvolution®



Healing Abutment:

EVHA43	Healing Abutment Ø 4.0 H 3.0 JDEvolution®
EVHA45	Healing Abutment Ø 4.0 H 5.0 JDEvolution®
EVHA47	Healing Abutment Ø 4.0 H 7.0 JDEvolution®
EVHA53	Healing Abutment Ø 5.0 H 3.0 JDEvolution®
EVHA55	Healing Abutment Ø 5.0 H 5.0 JDEvolution®
EVHA57	Healing Abutment Ø 5.0 H 7.0 JDEvolution®
EVHA63	Healing Abutment Ø 6.0 H 3.0 JDEvolution®
EVHA65	Healing Abutment Ø 6.0 H 5.0 JDEvolution®
EVHA67	Healing Abutment Ø 6.0 H 7.0 JDEvolution®
EVHA753	Healing Abutment Ø 7.5 H 3.0 JDEvolution®
EVHA755	Healing Abutment Ø 7.5 H 5.0 JDEvolution®
EVHA757	Healing Abutment Ø 7.5 H 7.0 JDEvolution®



Healing Abutment Bicomponent:

EVHB53	Healing Abutment Bicomponent Ø 5.0 H 3.0 JDEvolution®
EVHB55	Healing Abutment Bicomponent Ø 5.0 H 5.0 JDEvolution®
EVHB57	Healing Abutment Bicomponent Ø 5.0 H 7.0 JDEvolution®
EVHB63	Healing Abutment Bicomponent Ø 6.0 H 3.0 JDEvolution®
EVHB65	Healing Abutment Bicomponent Ø 6.0 H 5.0 JDEvolution®
EVHB67	Healing Abutment Bicomponent Ø 6.0 H 7.0 JDEvolution®



Immediate Temporary Abutment:

EVIT15C	Immediate Temporary Abutment JDEvolution®
EVITC	Healing cap



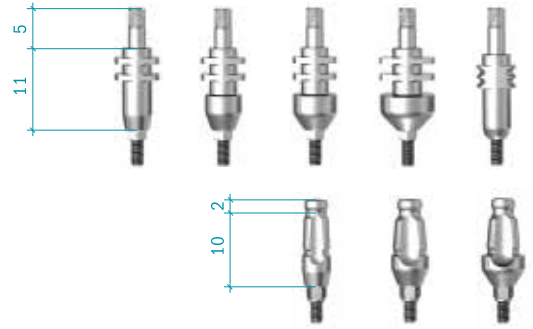
Impression copings:

OPEN TRAY

EVICOT4C	Impression coping open tray Ø 4.0 JDEvolution®
EVICOT5C	Impression coping open tray Ø 5.0 JDEvolution®
EVICOT6C	Impression coping open tray Ø 6.0 JDEvolution®
EVICOT75C	Impression coping open tray Ø 7.5 JDEvolution®
EVICOTNEC	Impression coping open tray non engaging JDEvolution®

CLOSED TRAY

EVICCT4C	Impression coping closed tray Ø 4.0 JDEvolution®
EVICCT5C	Impression coping closed tray Ø 5.0 JDEvolution®
EVICCT6C	Impression coping closed tray Ø 6.0 JDEvolution®



Rapid Abutment:

EVRA15C	Rapid Abutment H 1.5 JDEvolution®
EVRA30C	Rapid Abutment H 3.0 JDEvolution®
EVRAHC	Healing cap Rapid Abutment JDEvolution®
EVRAIC	Coping Rapid abutment JDEvolution®
EVRAAR	Abutment replica rapid abutment JDEvolution®

Torque recommended 30 Ncm



Zirconia Abutment:

EVZA15C	Zirconia Abutment H 1.5 JDEvolution®
EVZA30C	Zirconia Abutment H 3.0 JDEvolution®
EV15ZA15C	15° Zirconia Abutment H 1.5 JDEvolution®
EV15ZA30C	15° Zirconia Abutment H 3.0 JDEvolution®

Torque recommended 30 Ncm



Temporary Abutment:

EVTAEC	Temporary Abutment engaging JDEvolution®
EVTANEC	Temporary Abutment non engaging JDEvolution®
EVTAEPC	Temporary Abutment engaging peek JDEvolution®



Straight Abutment:

EVNSA4520C	Straight Abutment Ø 4.5 H 2.0 JDEvolution®
EVNSA4540C	Straight Abutment Ø 4.5 H 4.0 JDEvolution®
EVNSA5020C	Straight Abutment Ø 5.0 H 2.0 JDEvolution®
EVNSA5040C	Straight Abutment Ø 5.0 H 4.0 JDEvolution®
EVNSA6020C	Straight Abutment Ø 6.0 H 2.0 JDEvolution®
EVNSA6040C	Straight Abutment Ø 6.0 H 4.0 JDEvolution®

Torque recommended 30 Ncm



GP Abutment:

EVGPA40EC	Gp Abutment engaging Ø 4.0 JDEvolution®
EVGPA40NEC	Gp Abutment non engaging Ø 4.0 JDEvolution®
EVGPAEC	Gp Abutment engaging Ø 5.0 JDEvolution®
EVGPA50NEC	Gp Abutment non engaging Ø 5.0 JDEvolution®
EVGPA60EC	Gp Abutment engaging Ø 6.0 JDEvolution®

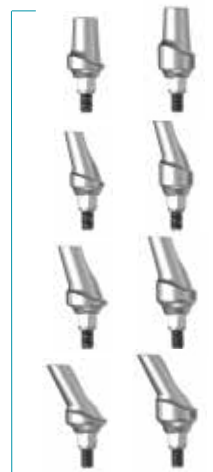
Torque recommended 30 Ncm



Anatomic Abutment:

EVVA15	Anatomic Abutment H 1.5 JDEvolution®
EVVA30	Anatomic Abutment H 3.0 JDEvolution®
EV15A15N	15° Angulated Anatomic Abutment Ø 4.5 H 1.5 JDEvolution®
EV15A30N	15° Angulated Anatomic Abutment Ø 4.5 H 3.0 JDEvolution®
EV15A15	15° Angulated Anatomic Abutment Ø 5.5 H 1.5 JDEvolution®
EV15A30	15° Angulated Anatomic Abutment Ø 5.5 H 3.0 JDEvolution®
EV25A15	25° Angulated Anatomic Abutment Ø 5.5 H 1.5 JDEvolution®
EV25A30	25° Angulated Anatomic Abutment Ø 5.5 H 3.0 JDEvolution®

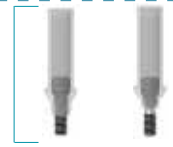
Torque recommended 30 Ncm



Wax up Abutment:

EVWAE	Wax-up Abutment engaging JDEvolution®
EVWANEC	Wax-up Abutment non engaging JDEvolution®

Torque recommended 30 Ncm



Cobalt-Chrome Abutment:

EVCCEC	Cobalt-Chrome Abutment engaging JDEvolution®
EVCCNEC	Cobalt-Chrome Abutment non engaging JDEvolution®

Torque recommended 30 Ncm



Gold Abutment:

EVGAEC	Gold Abutment engaging JDEvolution®
EVGANEC	Gold Abutment non engaging JDEvolution®

Torque recommended 30 Ncm



Prosthetic screw:

EVS	Abutment Screw JDEvolution®
EVSA	Abutment screw angulated JDEvolution®

Torque recommended 30 Ncm



Conical Abutment:

EVNCA15C	Straight Conical Abutment H 1.5 JDEvolution®
EVNCA30C	Straight Conical Abutment H 3.0 JDEvolution®
EVCA1725C	17° angulated Conical Abutment H 2.5 JDEvolution®
EVCA1735C	17° angulated Conical Abutment H 3.5 JDEvolution®
EVCA3025C	30° angulated Conical Abutment H 2.5 JDEvolution®
EVCA3035C	30° angulated Conical Abutment H 3.5 JDEvolution®
EVCAPS	Prosthetic screw Conical Abutment
EVCASA	Screw for angulated Conical Abutment JDEvolution®
EVCAPSA	Prosthetic screw angulated for Conical Abutment
EVCAICOTEC	Impression coping open tray Conical Abutment engaging
EVCAICOTC	Impression coping open tray Conical Abutment
EVCAICCTC	Impression coping closed tray Conical Abutment
EVCAHCL	Healing cap Conical Abutment H 6.0
EVCAHC	Healing cap Conical Abutment H 3.5
EVCAHCB	Healing cap peek Conical Abutment H 3.5
EVCAGPAEC	GP for Conical Abutment engaging
EVCAGPANEC	GP for Conical Abutment non engaging
EVCATANEC	Temporary cylinder non engaging Conical Abutment
EVCATANEWC	Temporary cylinder non engaging Conical Abutment for welding
EVCAWANEC	Wax up cylinder Conical Abutment non engaging
EVCAAR	Abutment replica Conical Abutment

Torque recommended 30 Ncm

Torque recommended 15 Ncm

Torque recommended 30 Ncm

Torque recommended 15 Ncm

Torque recommended 15 Ncm

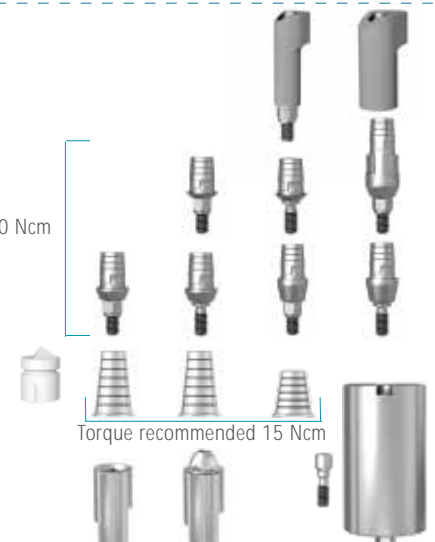


TiBase, ScanPost, JDSanBody and Implant Replica CAD CAM:

EVSBCEC	JDSanBody for JDEvolution®
EVCASBCEC	JDSanBody for Conical Abutment
EVTIBC	TiBase engaging JDEvolution®
EVTIBNEC	TiBase non engaging JDEvolution®
EVSCPC	ScanPost JDEvolution®
EVTIB15C	TiBase engaging H 1.5 JDEvolution®
EVTIB15NEC	TiBase non engaging H 1.5 JDEvolution®
EVTIB30C	TiBase engaging H 3.0 JDEvolution®
EVTIB30NEC	TiBase non engaging H 3.0 JDEvolution®
EVSCBOW	ScanBody for TiBase
EVCAITEC	Interface CAD CAM engaging for Conical Abutment H 7.5
EVCAITC	Interface CAD CAM for Conical Abutment H 7.5
EVCAITBC	Interface CAD CAM for Conical Abutment H 5.0
EVANC	Implant Replica CAD CAM for JDEvolution®
EVCAARC	Abutment Replica CAD CAM for Conical Abutment
EVPMNC	JD Pre-milled blanks and abutment screw JDEvolution®

Torque recommended 30 Ncm

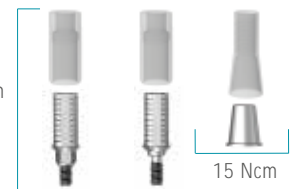
Torque recommended 15 Ncm



Interfaces:

70286C	Interface engaging for JDEvolution®
70550C	Interface non engaging for JDEvolution®
70287C	Interface non engaging for Conical Abutment

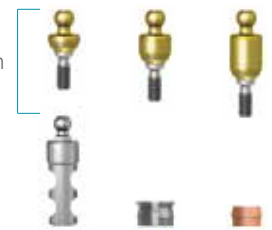
Torque recommended 30 Ncm



Ball Abutment:

EVBA15	Ball Abutment H 1.5 JDEvolution®
EVBA30	Ball Abutment H 3.0 JDEvolution®
EVBA50	Ball Abutment H 5.0 JDEvolution®
EVBAA	Ball Abutment replica
EVBAHC	Cap attachment housing and elastic retentive cap Ball Abutment
EVBAN	Elastic retentive cap Ball Abutment

Torque recommended 30 Ncm



Emi Abutment:

EVEMI15	Emi Abutment H 1.5 JDEvolution®
EVEMI30	Emi Abutment H 3.0 JDEvolution®
EVEMI50	Emi Abutment H 5.0 JDEvolution®
EVEMISCK	Smart cap attachment housing Emi Abutment
EVEMIHC	Cap attachment housing and elastic retentive cap Emi
EVEMIN	Elastic retentive cap standard Emi Abutment - Retention 1,2 Kg
EVEMIH	Cap attachment housing Emi Abutment
EVEMIIC	Impression coping Plastic for Emi Abutment
EVEMIICS	Impression coping Steel for Emi Abutment
EVEMINT	Elastic retentive cap white Emi Abutment - Retention 1,8 Kg
EVEMINY	Elastic retentive cap yellow Emi Abutment - Retention 0,6 Kg
EVEMINP	Elastic retentive cap purple Emi Abutment - Retention 2,5 Kg
EVEMINB	Elastic retentive cap for laboratory Emi Abutment
EVEMIA	Emi Abutment analog
EVEMIIIT	Insertion Tool for Caps Emi Abutment
EVEMIIET	Extractor Tool for Caps Emi Abutment

Torque recommended 30 Ncm



Implant and prosthetic drivers:

EVID	Implant driver JDEvolution®
EVIDL	Implant driver long JDEvolution®
EVSDPF20	Screwdriver prosthetic for torque wrench L20 JDEvolution®
EVSDPF25	Screwdriver prosthetic for torque wrench L25 JDEvolution®
EVSDCAF	Screwdriver torque wrench Conical Abutment
EVSDP20	Screwdriver machine prosthetic L20 JDEvolution®
EVSDP25	Screwdriver machine prosthetic L25 JDEvolution®
EVSDP30	Screwdriver machine prosthetic L30 JDEvolution®
EVSDCA	Screwdriver machine Conical Abutment
EVSDPF25A	Screwdriver screw angulated for torque wrench L25
EVSDPF30A	Screwdriver screw angulated for torque wrench L30



Implant replica:

EVAN	Implant replica JDEvolution®
------	------------------------------



Bone Mills:

JDBMNC	Bone Mill Ø 5.0 and Bone Mill guide JDEvolution®
JDBM6C	Bone Mill Ø 6.0 and Bone Mill guide JDEvolution®
JDBMGN	Bone Mill guide JDEvolution®





JDENTALCARE

www.jdentalcare.com